

GP Batteries

PRODUCT SPECIFICATION

**GP SafeGuard Product
Model : LSS8**

Revision History

Revision	Date	Initiator	Reason for Change
0.0	12 Jan 2017	CC Li	New release

Prepared By	Approved By
CC Li	Wilfred Kong
12 Jan 2017	12 Jan 2017

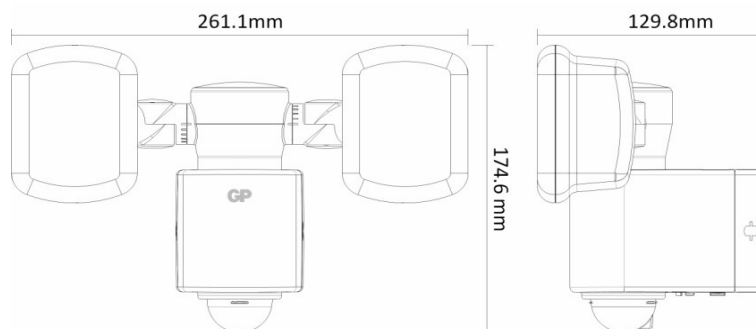
GPI International Limited

7/F, Building 16W, 16 Science Park West Avenue
Hong Kong Science Park, New Territories, Hong Kong,
Tel: (852) 2484 3333 Fax: (852) 24805912
Email: gpii@goldpeak.com
Website: <http://www.gpbatteries.com>

GP Batteries

Product Specification

Model no.: LSS8



Product Name : GP Safeguard RF4.1
Description : Cordless safety and security LED sensor light, two headlamps, LSS8

Electrical characteristics

Input Voltage : 4.5VDC (3 x 1.5V AA batteries)
Operating Voltage : 4.5V
Maximum Wattage : 6.0W
Battery life time : 300 days* (Based on 5 operation per day in Auto mode)
150 days* (Based on 10 operation per day in Auto mode)
100 days* (Based on 15 operation per day in Auto mode)
4 hours* (Constant On mode)

Lighting characteristics

CCT : 4500K-5500K
CRI : ≥ 80
luminous flux / Intensity : ≥ 260 lm
LED type : 2 x SMD LED
Light modes : OFF / ON / AUTO
Light duration in auto mode : 10 s \pm 3 s
Illuminated area at 2M height : 1.6 M²
Illuminated area at 4M height : 6.5 M²
Beam angle : 40° \pm 10°

GP Batteries

Product Specification

Model no.: LSS8

Sensors characteristics

Sensor	: Photo sensors & PIR Sensors
Sensor detection range	: 8M, 110°
Log in lux value	: 0-35 Lux (0-∞ adjustable)
Log out lux value	: 0~40 Lux (0-∞ adjustable)
Warm up time	: 30 s ±10 s

Physical characteristics

Operating temperature	: -20 °C to 50 °C
Storage temperature	: -20 °C to 50 °C
Dimension	: 261.1 (L) x 174.6 (H) x 129.8 (D) mm
Weight	: 382 g
Housing material	: PC
IP Rating	: IP55

Product compliance	: CE, Rohs
Warranty Period	: 12 months from ex-factory date



Member
Gold Peak Group

Manufacturer reserves the right to alter or amend the design, model and specification without prior notice.